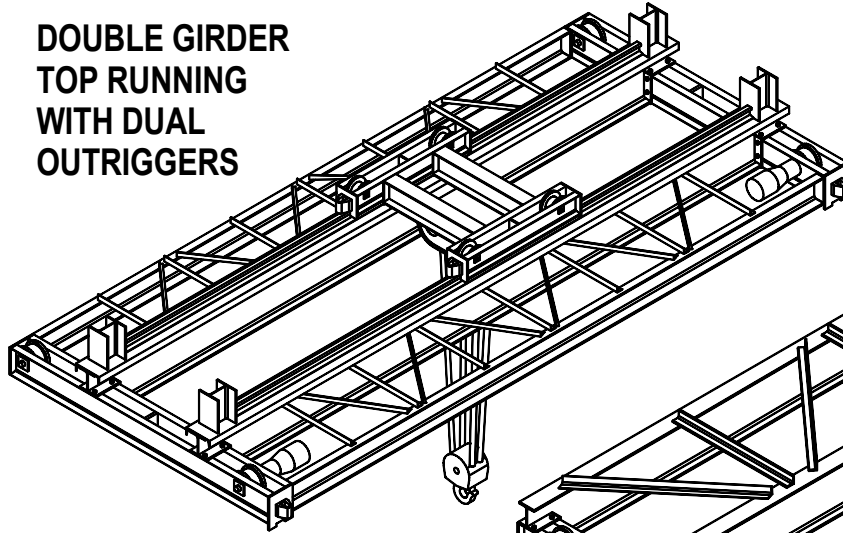
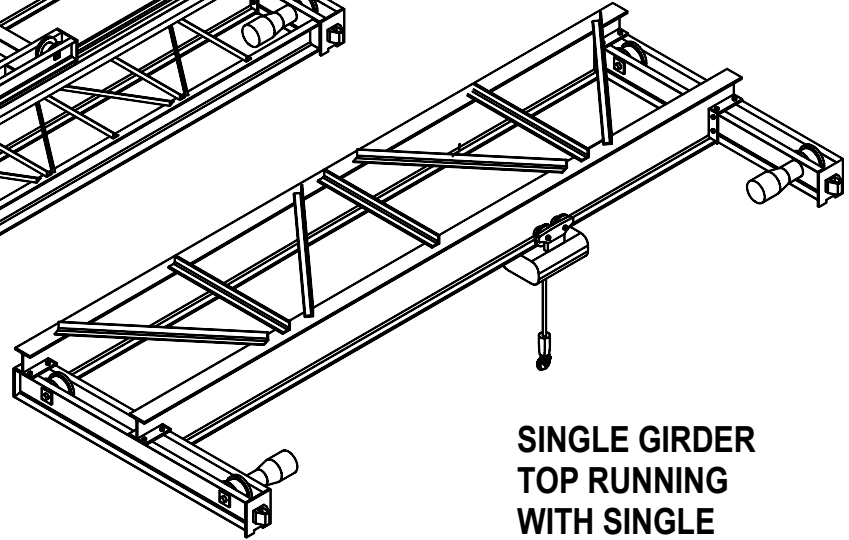


TYPES OF STANDARD BRIDGE CRANES

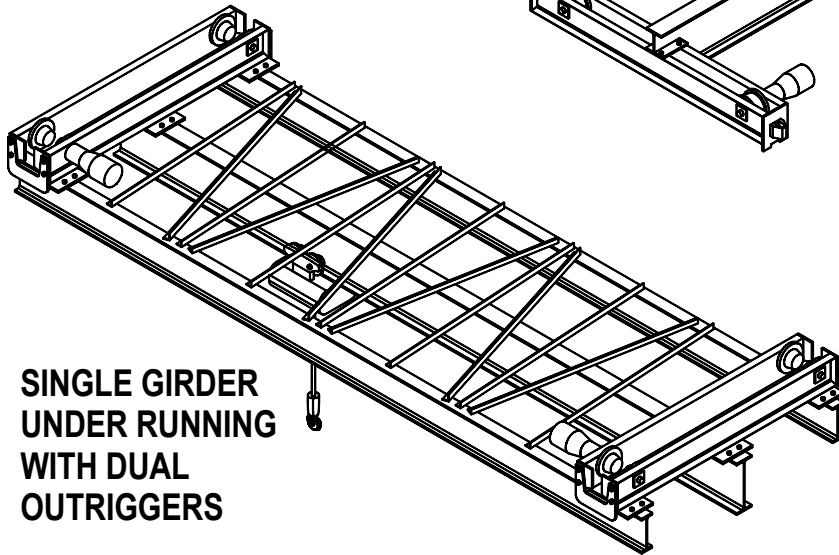
DOUBLE GIRDER
TOP RUNNING
WITH DUAL
OUTRIGGERS



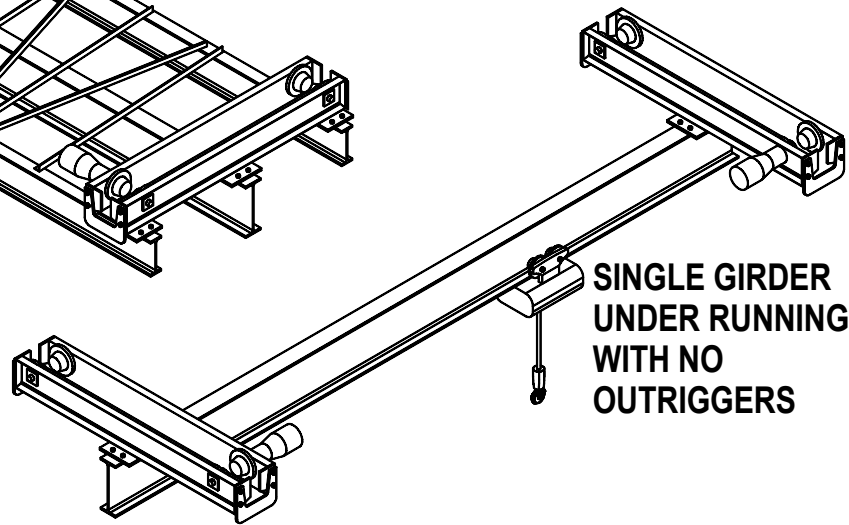
SINGLE GIRDER
TOP RUNNING
WITH SINGLE
OUTRIGGER



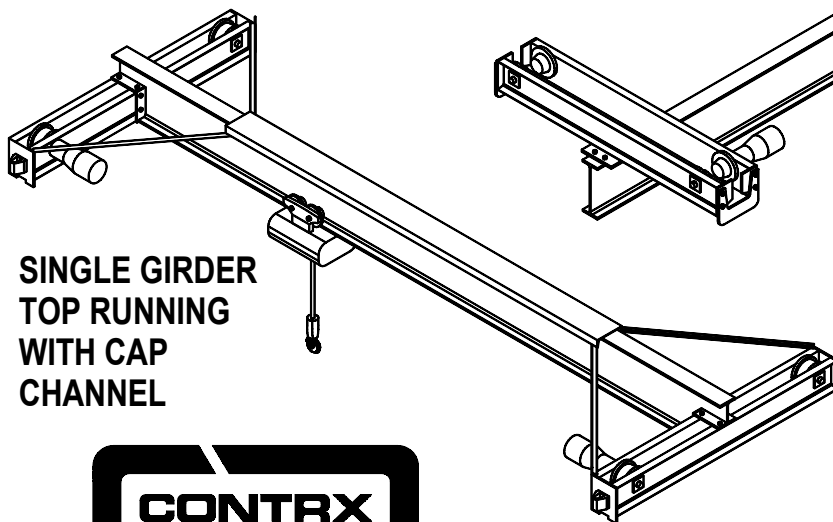
SINGLE GIRDER
UNDER RUNNING
WITH DUAL
OUTRIGGERS



SINGLE GIRDER
UNDER RUNNING
WITH NO
OUTRIGGERS



SINGLE GIRDER
TOP RUNNING
WITH CAP
CHANNEL



CONTRX INDUSTRIES
1377 Kimberly Drive
Neenah, WI 54956-1642
Phone (920) 722-0101
Fax (920) 725-1394
www.contrx.com

DOUBLE GIRDER
TOP RUNNING

